


Technical characteristics

HOME LIFT	Mechanism	<i>With screw</i>
	Payload	<i>400kg</i>
	Capacity	<i>1 wheelchair person and an accompanying or 4 persons</i> 
	Speed	<i>0,15m/s</i>
	Installation	<i>Indoor / Outdoor</i>
	Travel	<i>Up to 6,30m max.</i>
	Number of stops	<i>4 floors max.</i>
	Finish	<i>Lacquered steel, RAL range - contact us for other finishing touches</i>
	Security	<i>Parachute system, frequency inverter, overload detector, overspeed detector, out of race contact, emergency stop, backup battery in case of power cut, backup lighting, bidirectional telephone, HMI (Human Machine Interface)</i>
Standard / Directive	<i>NF EN 81-41 European Directive 2006/42 CE</i>	

CABIN	Dimensions (W x D)	<i>0,90 x 1,40m / 1,00 x 1,40m / 1,10 x 1,40m / 1,20 x 1,40m</i>
	Service	<i>Same face / Through / Adjacent / Adjacent-Through</i>
	Handrail	<i>1, 2 or 3 handrails depending on service</i>
	Handrail finish	<i>Lacquered sheet and/or Stapid glass 44/2 transparent</i>
	Control	<i>Constant pressure</i>

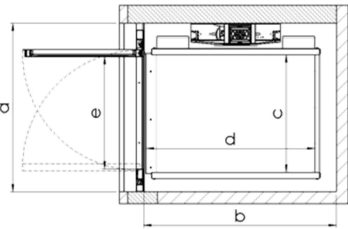
LANDING DOORS	Level 0 door	<i>Swing door with automatic opening and closing (or manual)</i>
	Dimensions (W x H)	<i>0,83 x 2,00m / 0,93 x 2,00m</i>
	Upper floor half door	<i>Swing door with automatic opening and closing (or manual) - Up to 3,00m travel (door from 3m)</i>
	Dimensions (W x H)	<i>0,83 x 1,10m / 0,93 x 1,10m for half door 0,83 x 2m / 0,93 x 2m for door</i>
	Motorization	<i>Integrated with the fixed frame (invisible, anti-intrusion)</i>
	Type	<i>Fully glazed panoramic</i>
	Windows	<i>Stadip 44/5 - Transparent</i>
	Control	<i>Fully automatic one touch control, integrated to the fixed frame</i>
Security	<i>Anti-pinching</i>	

ELECTRICITY	Motorization	<i>All electric, integrated to the lift</i>
	Electrical box	<i>Integrated to the shaft (without engine room)</i>
	Voltage	<i>Single-phase electric power 230V P+N+T (3,2,5mm²)</i>
	Power	<i>1,5kw</i>
	Cable	<i>Multi-conductor TBT, cable outler : 2,50m, 5 pairs 9/10th</i>
	Protection	<i>20A / 30mA, circuit breaker C curve</i>

WORK OUT BATCH	
Structural works	<i>Masonry shaft, pit, floor, paint finish</i>
Electricity	<i>On hold electric inlet linked to TBT, scrabbard included</i>

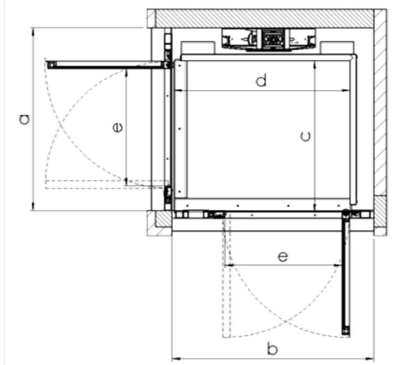
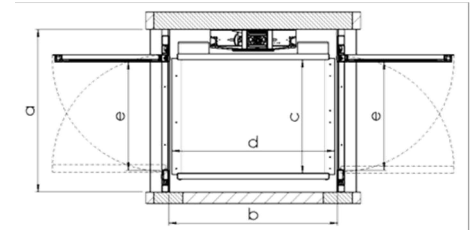


Technical characteristics



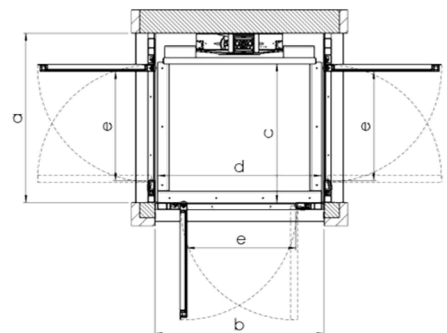
Same face			
	$a \times b$	$c \times d$	e
Travel	Shaft dimensions	Cabin dimensions	Door passage
Lower than 3,00m	1,30 x 1,60	0,90 x 1,40	0,83 x 2,00
	1,40 x 1,60	1,00 x 1,40	0,93 x 2,00
	1,50 x 1,60	1,10 x 1,40	
Upper than 3,00m	1,30 x 1,70	0,90 x 1,40	0,83 x 2,00
	1,40 x 1,70	1,00 x 1,40	0,93 x 2,00
	1,50 x 1,70	1,10 x 1,40	

Through			
	$a \times b$	$c \times d$	e
Travel	Shaft dimensions	Cabin dimensions	Door passage
Lower than 3,00m	1,30 x 1,45	0,90 x 1,40	0,83 x 2,00
	1,40 x 1,45	1,00 x 1,40	0,93 x 2,00
	1,50 x 1,45	1,10 x 1,40	
Between 3,00m and 4,50m	1,30 x 1,55	0,90 x 1,40	0,83 x 2,00
	1,40 x 1,55	1,00 x 1,40	0,93 x 2,00
	1,50 x 1,55	1,10 x 1,40	
Upper than 4,50m	1,30 x 1,65	0,90 x 1,40	0,83 x 2,00
	1,40 x 1,65	1,00 x 1,40	0,93 x 2,00
	1,50 x 1,65	1,10 x 1,40	



Adjacent			
	$a \times b$	$c \times d$	e
Travel	Shaft dimensions	Cabin dimensions	Door passage
Lower than 3,00m	1,45 x 1,60	1,20 x 1,40	0,93 x 2,00
	1,60 x 1,70		
Upper than 3,00m	1,45 x 1,70		
	1,60 x 1,70		

Adjacent-through			
	$a \times b$	$c \times d$	e
Travel	Shaft dimensions	Cabin dimensions	Door passage
Lower than 1,50m	1,45 x 1,45	1,20 x 1,40	0,93 x 2,00
Between 1,50m and 3,00m	1,55 x 1,45		
Upper than 3,00m	1,45 x 1,65		



Pit: 0,15m
 High reserve with gate: 2,00m
 High reserve with door: 2,20m

Unit: meters

Data are provided for information only, ERMHES reserves the right to modify them without advance notice